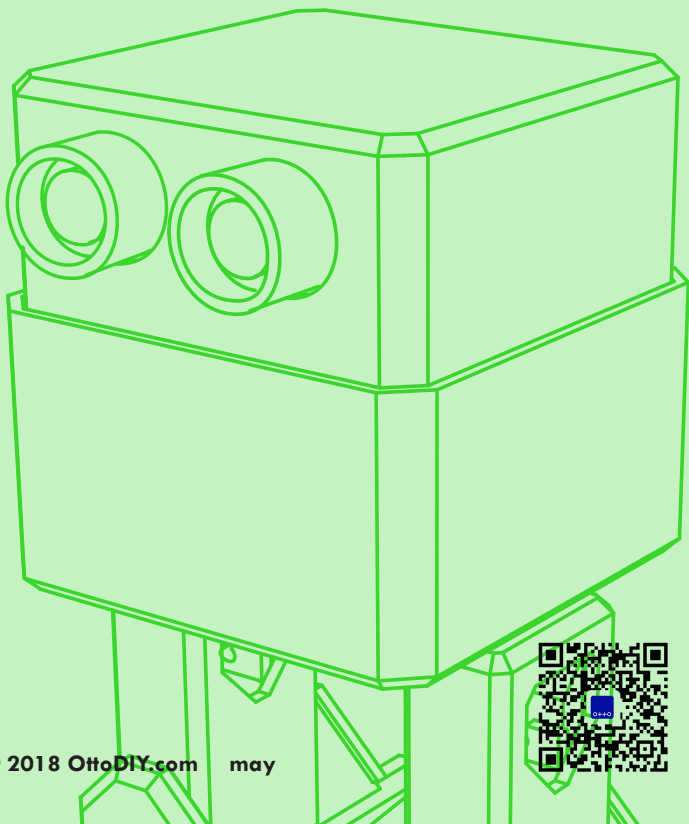




INSTRUCTION MANUAL

DIY

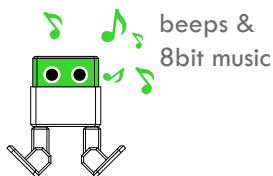
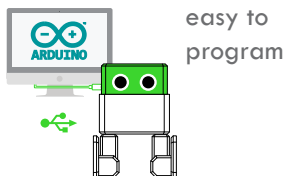
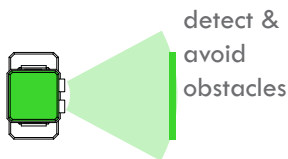
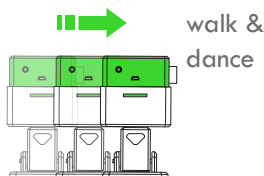


build your own robot

O++O

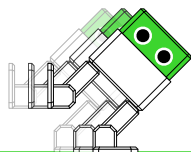
Otto is an interactive robot that anyone can make!

you will be able to build your own Otto in as little as one hour!
easy to build and disassemble with a simple screwdriver.

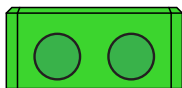


#OttoDIY

follow us!



PARTS



3D printed Head



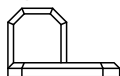
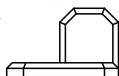
3D printed Leg x2



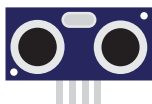
3D printed body

3D printed Right foot

3D printed Left foot



ultrasound sensor



pointed screw x8

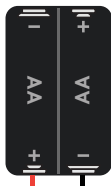
micro servo motor x4



short screw x4

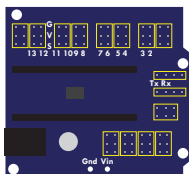


motor keys



AA battery case*

*AA batteries not included



Arduino NANO shield



Arduino NANO



mini usb cable



switch



buzzer



Phillips screwdriver

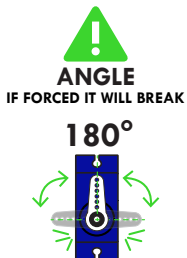
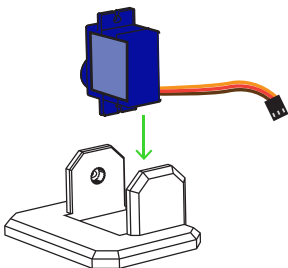
F/F connector cable x6



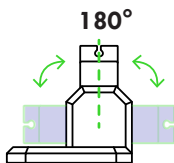
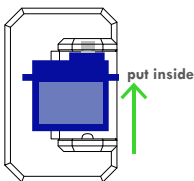
1



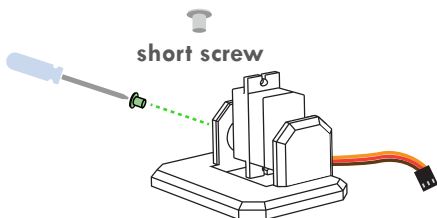
a



b



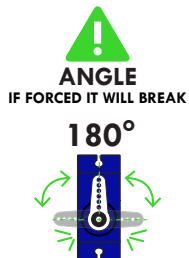
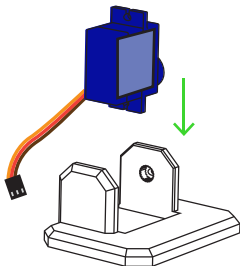
c



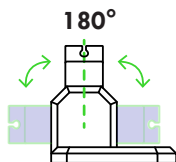
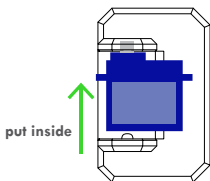
2



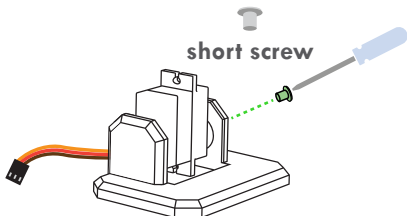
a



b

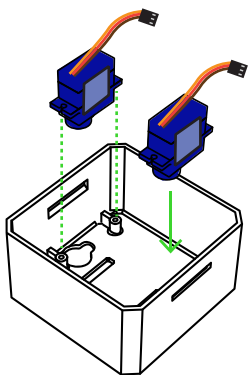


c

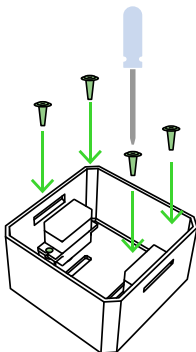




a



b

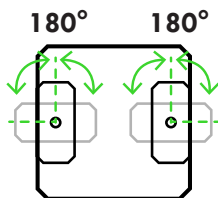
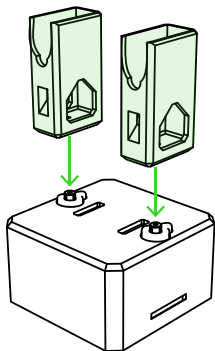


pointed screw

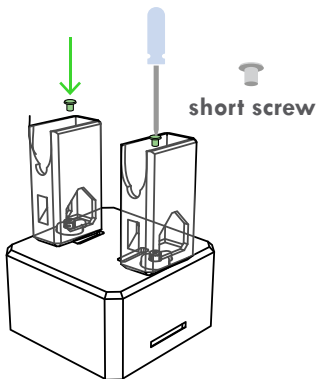
4



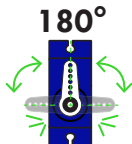
a



b



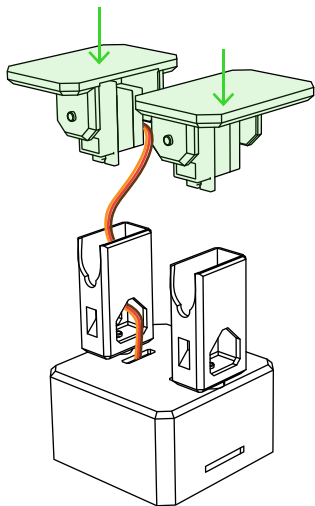

ANGLE
IF FORCED IT WILL BREAK



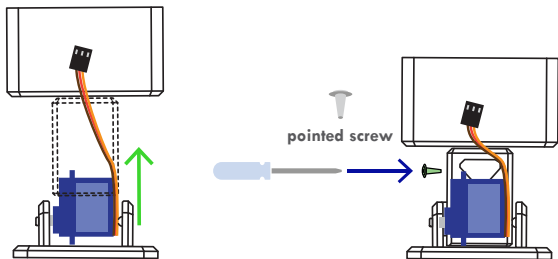
5



a



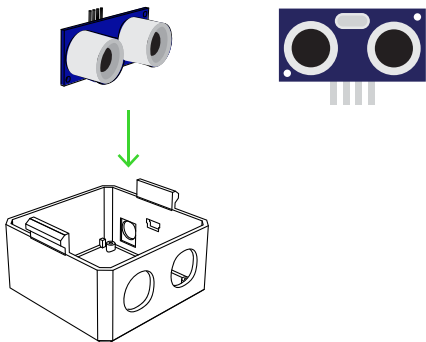
b



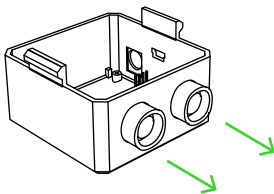
6



a



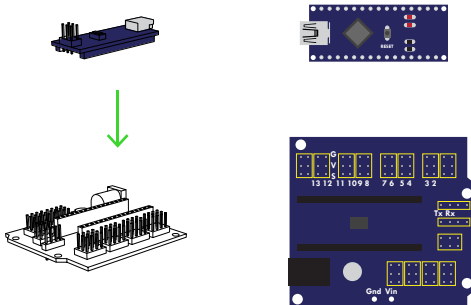
b



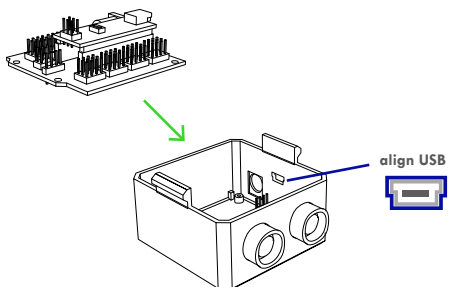
7



a



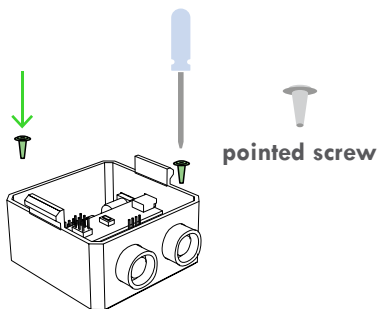
b



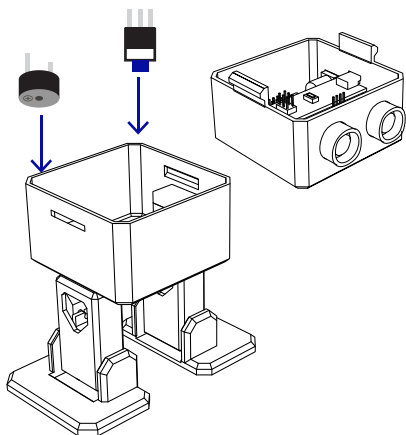
8



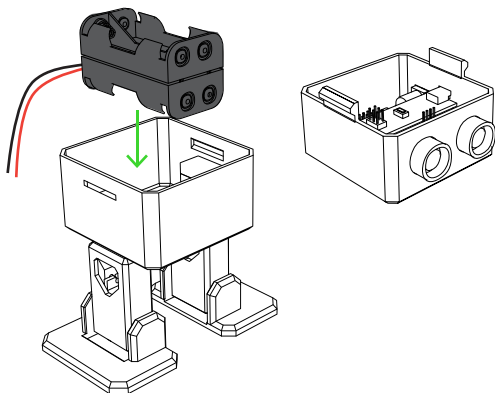
a



b

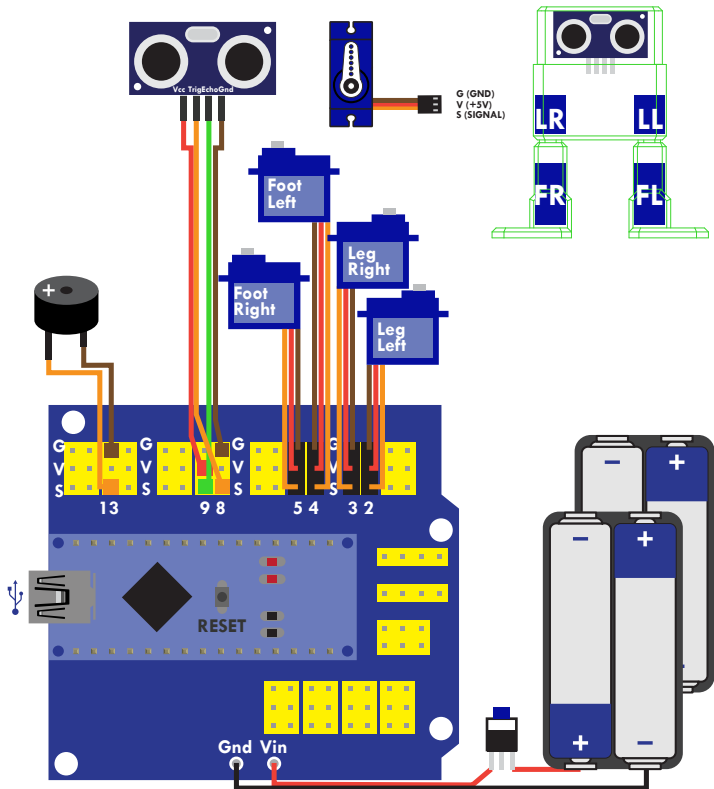


9



*cable colors may vary

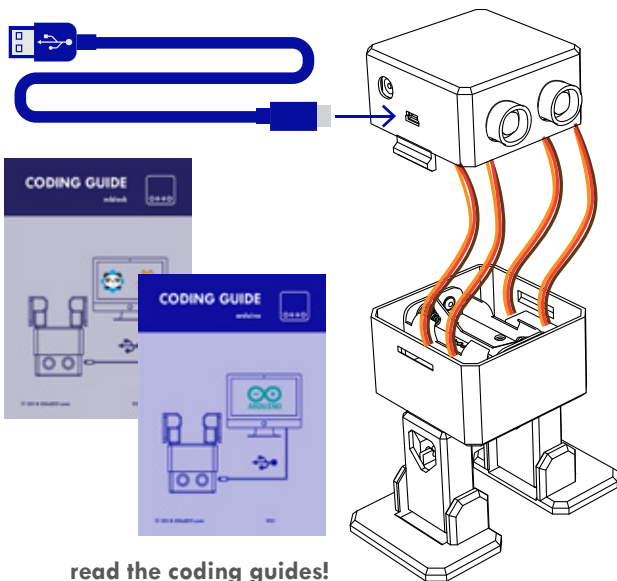
10



*cable colors may vary *AA batteries not included
before using batteries test with USB first

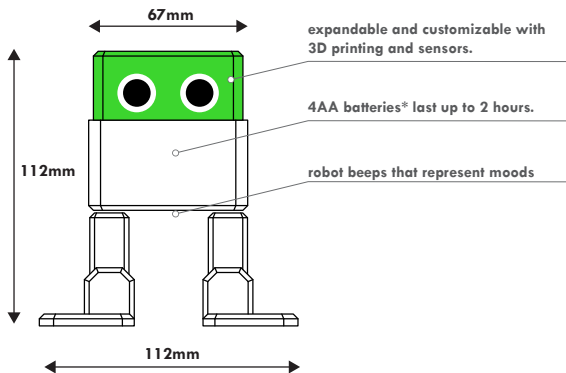
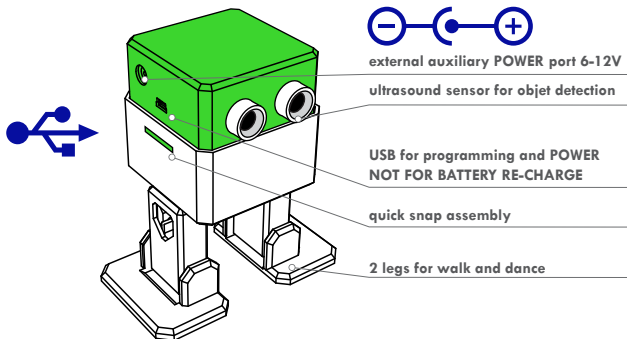


connect and power with USB and test servo motors
before using any kind of batteries



read the coding guides!

12



*AA batteries not included

13

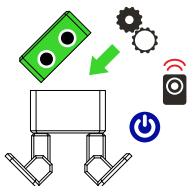


post your creations online

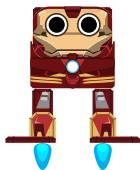


#OttoDIY share!

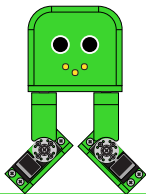
expand...



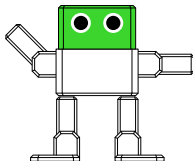
customize



remix



modify





wanted Otto builders

do you have what it takes?

ottodiy.com

