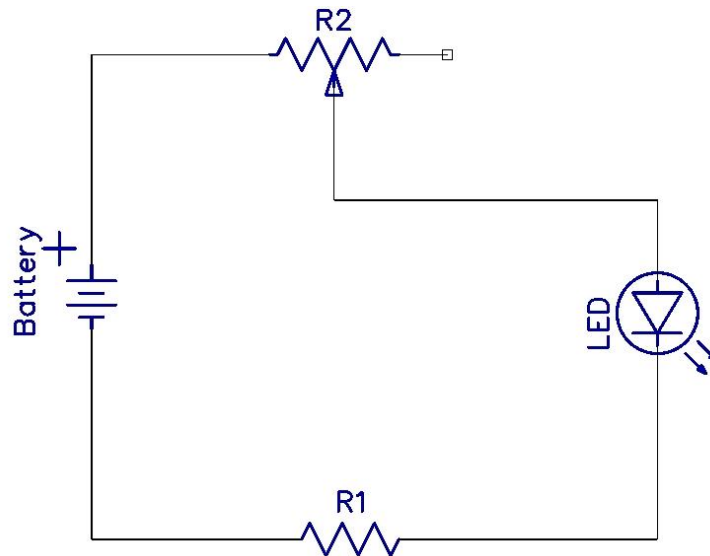


Breadboard Lab #2

“How a Potentiometer works”

1. Breadboard the following schematic diagram. Make sure your wires are flat! Use a 330 ohm (orange, orange, brown, gold) resistor for R1 and a 50K or 100K potentiometer. Set the Power Supply to 9 volts.



2. Answer the following questions as you adjust the potentiometer. Use the [Electronic Components PowerPoint presentation](#) from class to answer to help.
 - a) A potentiometer is a variable _____.
 - b) By adjusting the potentiometer from one end to another, the brightness of the LED _____.
 - c) When the potentiometer is at 0 ohms, the LED is _____.
 - d) When the potentiometer is at 100K ohms, the LED is _____.
 - e) As you adjust the potentiometer from 0 ohms to 100K ohms, the _____ changes causing the LED to get _____.