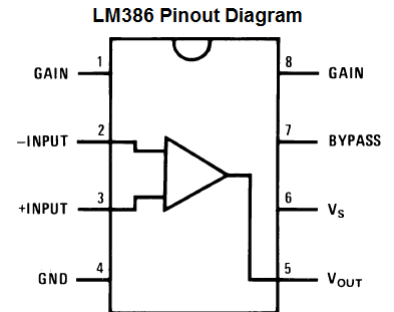
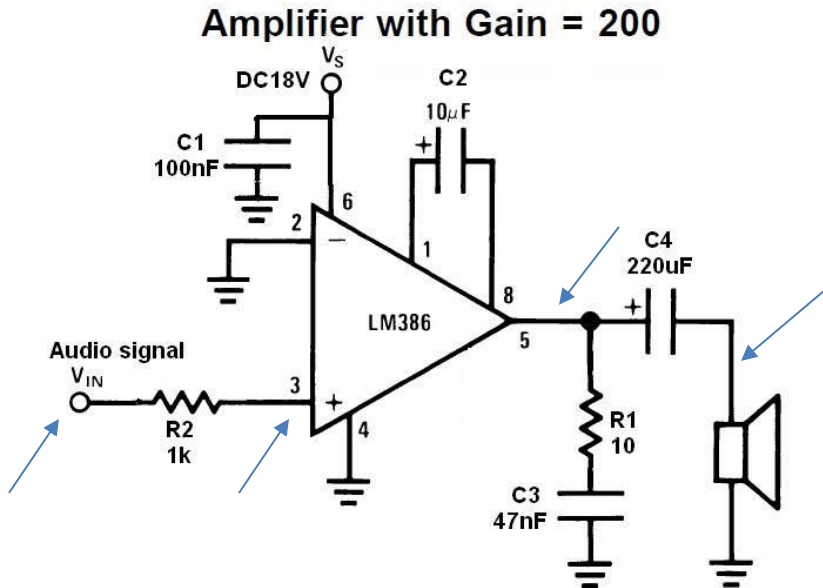


Breadboard Lab #12 (Level 2)

“LM386 Audio Generator”

- 1) Breadboard the following schematic diagram using a LM386 Audio Amplifier. Set the Power Supply to 18 volts.



- 1) First connect the audio generator to the oscilloscope. Make sure the channel setting is on AC. What does the signal look like? Change the frequency on the generator and watch it change on the oscilloscope



- 2) Connect the speaker directly to the speaker directly. How loud is the speaker?

- 3) Now connect the frequency generator **RED** alligator clip to the Audio Signal IN on your circuit and the **BLACK** alligator clip to the ground of the circuit. Turn on the audio generator and adjust the dial back and forth. Is the output of the speaker now louder?



- 4) Using the Oscilloscope, follow the signal from the frequency generator from the Audio Signal IN, to pin 3, to pin 5, to the speaker as shown in the schematic above where the arrows are. What happens to the signal?