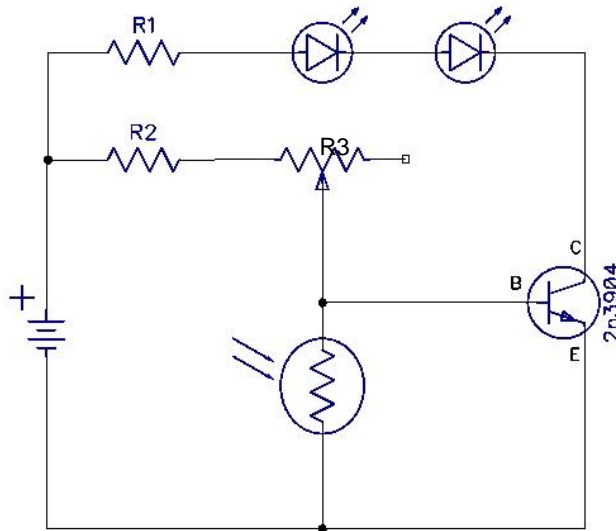


Breadboard Lab #7

“How an Automatic Night Light works”

- 1) Breadboard the following schematic diagram. Make sure your wires are flat! Set the Power Supply to 9 volts.



R1: 56 ohm (green, blue, black)
R2: 10K ohm (brown, black, orange)
R3: 50k or 100k Potentiometer

- 2) Use the Potentiometer to adjust the **sensitivity** of the circuit so that when you pass your hand over something happens.
- 3) Answer the following questions. Use the [Electronic Components PowerPoint presentation](#) from class to help.
 - a) When the light hits the photocell the LED's are _____.
 - b) The less light on the photocell, the _____ the LED's are.
 - c) The LED's are connected to the _____ of the transistor.
 - d) The potentiometer is used to adjust the _____ of the device.